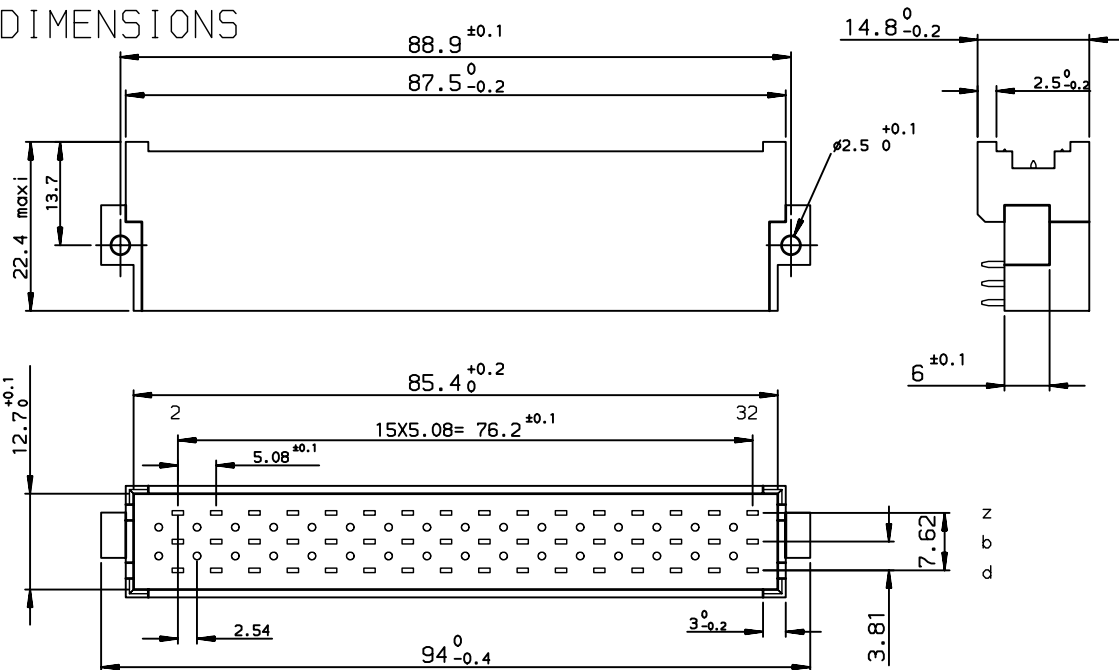


DIMENSIONS



ELECTRICAL DATA

- Current at AMB. 5.5 A at 20° / 4 A at 70°
- Contact resistance $\leq 15m\Omega$ according to DIN 41640 Teil 4 test 2a
- Insulation resistance >math>\geq 10^8</math> Ma according to DIN 41640 teil 7 test 3a
- TEST VOLTAGE according to DIN 41640 teil 21
- contact/contact 1550 V
- contact/ground 2500 V

MECHANICAL DATA

- Insertion force $\leq 75N$
- Mechanical endurance 400 matings unmatings according to DIN41640 teil 21
- Material insulator Thermoplastic UL94V0
- Material contacts Brass
- Finishing contact surface Gold over nickel Lead Free
- Finishing termination Lead Free
- Schock $\leq 30mA$ according to DIN 41640 Teil 14 test 6c
- Vibration 10-500Hz/5g according to DIN 41640 Teil 15

ENVIRONMENTAL DATA

- Climatic category According to DIN 41612 - class 2
- Corrosion According to DIN 41612 - class 2

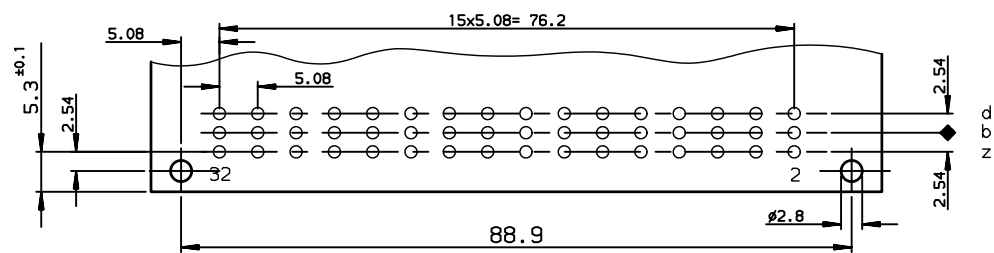
FMLB CT IN POSITION: z32

PERFORMANCES AS PER DIN 41612 STYLE F CLASS 2

NOTE RoHS INFORMATION

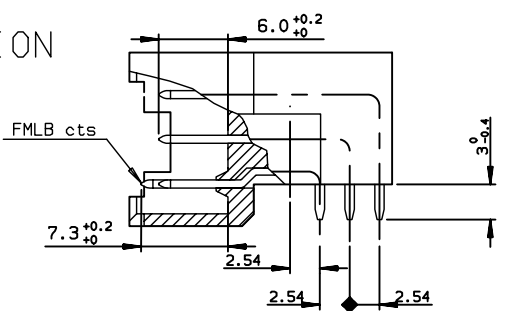
- The "LF" products meet European Union Directives and other country regulations as described in 65-22-008.
- The housing will withstand exposure to 260°C peak temperature for 3.5 seconds in a wave solder application with a 1.6mm minimum thick circuit board.
- For the right angled versions, like the current leaded versions, it's recommended to use high temperature adhesive or metallic device, to protect the nearest plastic part in contact with of the solder wave, to avoid any visual plastic deterioration.

P.C. CARD DRILLING



LEAD-FREE PART-NUMBER
5159009486354611LF

TERMINATION



| rev | ecn no | dr | date |
|-----|-----------|-----|------------|
| A | - | SJO | 1997/01/30 |
| B | LS06-0019 | LGO | 2006/04/10 |
| C | LS06-0097 | LGO | 2006/07/26 |
| D | LS07-0213 | LGO | 2007/08/17 |
| E | LS07-0288 | LGO | 2007/11/19 |
| - | - | - | - |
| - | - | - | - |

| | | | | |
|---|-------------|-------------------------|-----------------------------------|------------------|
| www.fciconnect.com | | surface ISO 1302 ✓ | tolerance std ISO 406 ISO 1101 | projection mm |
| TOLERANCES UNLESS OTHERWISE SPECIFIED | | | | |
| Dr | S. JOUBERT | 1997/01/30 | 0.X | ±0.1 |
| Eng | L. GOISNARD | 1997/01/30 | 0.XX | ±0.1 |
| Chr | P. LEGARE | 1997/01/30 | 0.XXX | ±0.1 |
| Appr | P. LEGARE | 1997/01/30 | size A3 Scale 1.5 | |
| Product family | | | ECN LS07-0288 | |
| DIN POWER 5159 | | | Spec ref - | |
| title MALE CONNECTOR 3 ROW 48 CTS & 1 FMLB CT | | dwg no C01-5159-0043 | | Rev. E |
| catalog no | | CUSTOMER sheet 1 of 1 | | |

Copyright FCI. FCI